

# SS5 HELICAL PILES AND ANCHORS

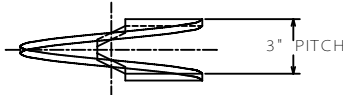
TORQUE STRENGTH RATING - 5,700 FT-LB  
 ULTIMATE CAPACITY\* (TENSION/COMPRESSION) - 57 KIP  
 \*BASED ON A TORQUE FACTOR (Kt)=10  
 PER ICC - ES AC358 SECTION 3.13.2  
 NOMINAL TENSION STRENGTH (COUPLING BOLT) - 70 KIP

## - NOTES -

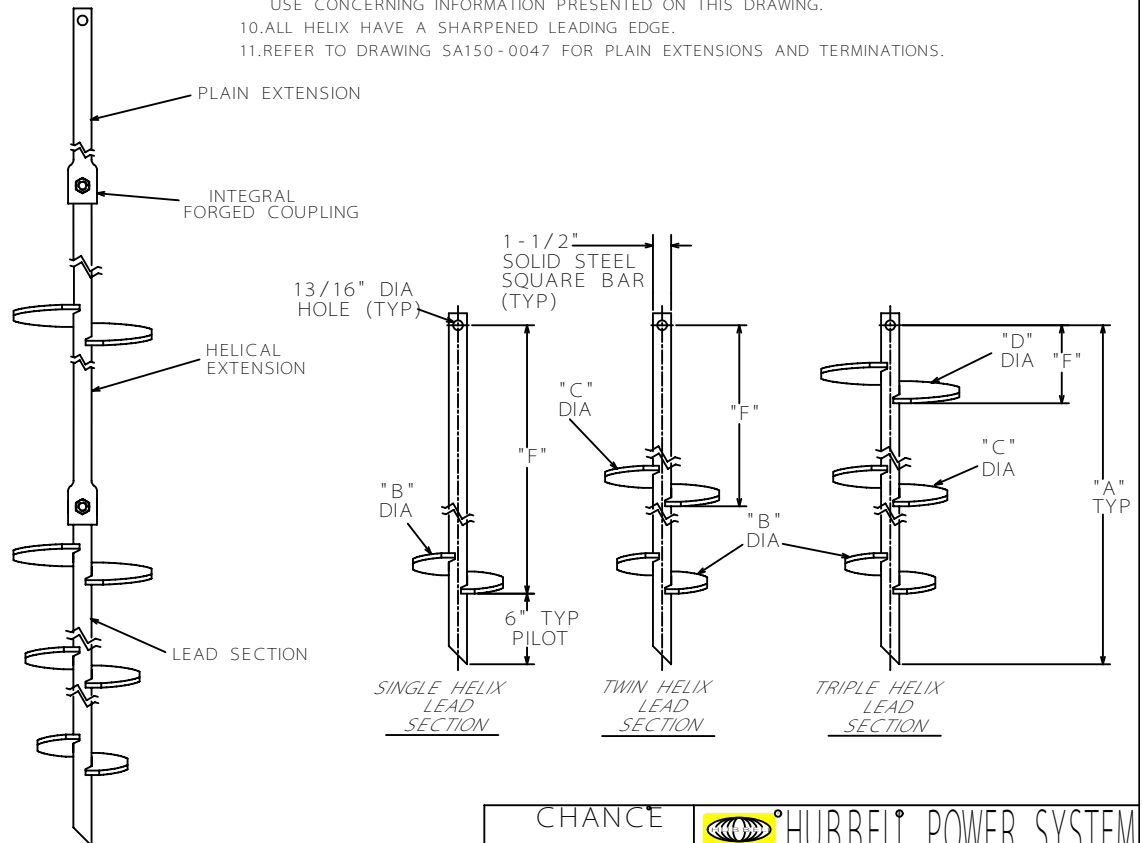
- HOT DIP GALVANIZED PER ASTM A153 - (LATEST REV.)
- LEAD AND EXTENSION SECTION AND PILOT POINT LENGTHS ARE NOMINAL.  
 PILOT FOR T150-0000 AND C150-0156 IS 3.75" AND 2.5" RESPECTIVELY.
- SHAFT MATERIAL - HOT ROLLED ROUND-CORNERED SQUARE (RCS) SOLID STEEL BARS PER ASTM A29; MINIMUM YIELD STRENGTH=70 KSI.
- HELIX MATERIAL - HOT ROLLED LOW CARBON STEEL SHEET, STRIP, OR PLATE PER ASTM A572, OR A1018, OR A656; MINIMUM YIELD STRENGTH=50 KSI; 3/8" THICK.
- COUPLING BOLTS: 3/4" DIAMETER X 3" LONG HEX HEAD PER ASTM A325 TYPE 1.
- NOMINAL SPACING BETWEEN HELICAL PLATES IS THREE TIMES THE DIAMETER OF THE LOWER HELIX.
- MANUFACTURER TO HAVE IN EFFECT INDUSTRY RECOGNIZED WRITTEN QUALITY CONTROL FOR ALL MATERIALS AND MANUFACTURING PROCESSES.
- ALL WELDING TO BE DONE BY WELDERS CERTIFIED UNDER SECTION 5 OF THE AWS CODE D1.1.
- SEE ICC EVALUATION SERVICE INC., EVALUATION REPORT NO. ESR-2794 FOR NOMINAL, DESIGN, AND ALLOWABLE STRENGTH VALUES AND/OR CONDITIONS OF USE CONCERNING INFORMATION PRESENTED ON THIS DRAWING.
- ALL HELIX HAVE A SHARPENED LEADING EDGE.
- REFER TO DRAWING SA150-0047 FOR PLAIN EXTENSIONS AND TERMINATIONS.

LEAD SECTION						
CAT. NO.	"A"	"B"	"C"	"D"	"F"	ICC-ES LISTED ESR-2794
C150-0001	82-1/4"	8"			76-1/4"	X
C150-0002	59"	8"			53"	X
C150-0003	82-1/4"	10"			76-1/4"	X
C150-0004	82-1/4"	12"			76-1/4"	X
C150-0005	82-1/4"	14"			76-1/4"	X
C150-0030	82-1/4"	6"	8"		58-1/4"	X
C150-0006	82-1/4"	8"	10"		52-1/4"	X
C150-0031	123"	8"	10"		93"	X
C150-0007	63-1/4"	8"	10"	12"	5-3/4"	X
C150-0058	59"	10"			53"	X
T150-0086	35-3/4"	6"	6"		11-3/4"	X
C150-0051	82-1/4"	10"	12"		46-1/4"	X
C150-0160	35-3/4"	8"	10"		5-3/4"	X
C150-0161	42"	10"	12"		6"	X
C150-0242	59"	12"			53"	X
C150-0243	59"	14"			53"	X
C150-0244	35-3/4"	6"	8"		11-3/4"	X
C150-0397	82-1/4"	8"	10"	12"	22-1/4"	X
C150-0398	123"	10"	12"	14"	51"	X
C150-0399	123"	12"	14"	16"	39"	X
C150-0489	82-1/4"	10"	12"	14"	10-1/4"	X
T150-0000*	82-1/4"	8"	10"	12"	6-1/2"	X
C150-0156	25"	8"			21-1/2"	X

\* HELIX ARE SPACED 3' APART



HELIX MUST BE FORMED BY MATCHING METAL DIE  
 (SIDE VIEW OF TRUE HELICAL FORM)



TYPICAL ANCHOR/PILE ASSEMBLY

ICC - ES LISTED  
 ESR - 2794

CHANCE		HUBBELL POWER SYSTEM	
CONFIDENTIAL: THIS DRAWING AND ITS CONTENTS ARE CONFIDENTIAL AND THE EXCLUSIVE PROPERTY OF HUBBELL POWER SYSTEMS. NO PUBLICATION, DISTRIBUTION OR COPIES MAY BE MADE WITHOUT THE WRITTEN CONSENT OF HUBBELL POWER SYSTEMS. HUBBELL POWER SYSTEMS UNPUBLISHES ALL RIGHTS RESERVED UNDER THE COPYRIGHT LAWS.			
TITLE SS5 LEADS AND HELICAL EXTENSIONS		SIZE SC	REV N
DWG NO. SA150-0001	CAT / PART / ASSY NO. 1	DRN BY KSH	DATE 4/25/05
DO NOT SCALE THIS DRAWING		SHEET 1 / 2	

# SS5 HELICAL PILES AND ANCHORS

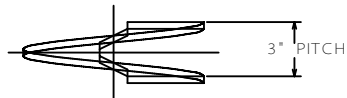
TORQUE STRENGTH RATING - 5,700 FT-LB  
 ULTIMATE CAPACITY\* (TENSION/COMPRESSION) - 57 KIP  
 \*BASED ON A TORQUE FACTOR (Kt)=10  
 PER ICC-ES AC308 SECTION 3.13.2  
 NOMINAL TENSION STRENGTH (COUPLING BOLT) - 70 KIP

## - NOTES -

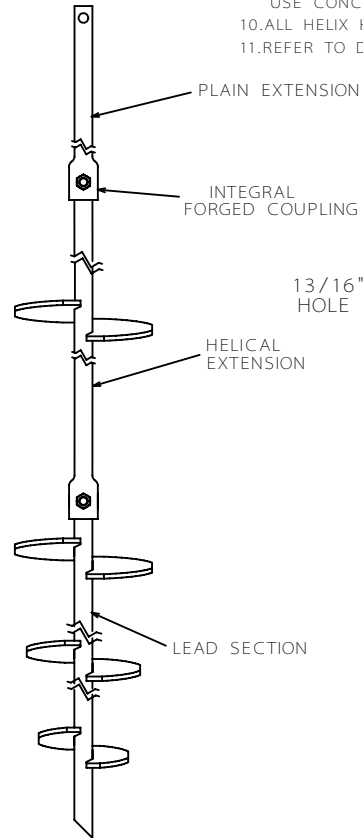
- HOT DIP GALVANIZED PER ASTM A153 - (LATEST REV.)
- LEAD AND EXTENSION SECTION AND PILOT POINT LENGTHS ARE NOMINAL.  
 PILOT FOR T150-0000 AND C150-0156 IS 3.75" AND 2.5" RESPECTIVELY.
- SHAFT MATERIAL - HOT ROLLED ROUND - CORNERED SQUARE (RCS) SOLID STEEL BARS PER ASTM A29; MINIMUM YIELD STRENGTH=70 KSI.
- HELIX MATERIAL - HOT ROLLED LOW CARBON STEEL SHEET, STRIP, OR PLATE PER ASTM A572, OR A1018, OR A656; MINIMUM YIELD STRENGTH=50 KSI; 3/8" THICK.
- COUPLING BOLTS: 3/4" DIAMETER X 3" LONG HEX HEAD PER ASTM A325 TYPE 1.
- NOMINAL SPACING BETWEEN HELICAL PLATES IS THREE TIMES THE DIAMETER OF THE LOWER HELIX.
- MANUFACTURER TO HAVE IN EFFECT INDUSTRY RECOGNIZED WRITTEN QUALITY CONTROL FOR ALL MATERIALS AND MANUFACTURING PROCESSES.
- ALL WELDING TO BE DONE BY WELDERS CERTIFIED UNDER SECTION 5 OF THE AWS CODE D1.1.
- SEE ICC EVALUATION SERVICE INC., EVALUATION REPORT NO. ESR-2794 FOR NOMINAL, DESIGN, AND ALLOWABLE STRENGTH VALUES AND/OR CONDITIONS OF USE CONCERNING INFORMATION PRESENTED ON THIS DRAWING.
- ALL HELIX HAVE A SHARPENED LEADING EDGE.
- REFER TO DRAWING SA150-0047 FOR PLAIN EXTENSIONS AND TERMINATIONS.

LEAD SECTION						
CAT. NO.	"A"	"B"	"C"	"D"	"F"	ICC-ES LISTED ESR-2794
C150-0001	82-1/4"	8"			76-1/4"	X
C150-0002	59"	8"			53"	X
C150-0003	82-1/4"	10"			76-1/4"	X
C150-0004	82-1/4"	12"			76-1/4"	X
C150-0005	82-1/4"	14"			76-1/4"	X
C150-0030	82-1/4"	6"	8"		58-1/4"	
C150-0006	82-1/4"	8"	10"		52-1/4"	X
C150-0031	123"	8"	10"		93"	X
C150-0007	63-1/4"	8"	10"	12"	5-3/4"	X
C150-0058	59"	10"			53"	X
T150-0086	35-3/4"	6"	6"		11-3/4"	X
C150-0051	82-1/4"	10"	12"		46-1/4"	X
C150-0160	35-3/4"	8"	10"		5-3/4"	X
C150-0161	42"	10"	12"		6"	X
C150-0242	59"	12"			53"	X
C150-0243	59"	14"			53"	X
C150-0244	35-3/4"	6"	8"		11-3/4"	
C150-0397	82-1/4"	8"	10"	12"	22-1/4"	X
C150-0398	123"	10"	12"	14"	51"	X
C150-0399	123"	12"	14"	16"	39"	X
C150-0489	82-1/4"	10"	12"	14"	10-1/4"	X
T150-0000*	82-1/4"	8"	10"	12"	6-1/2"	X
C150-0156	25"	8"			21-1/2"	X

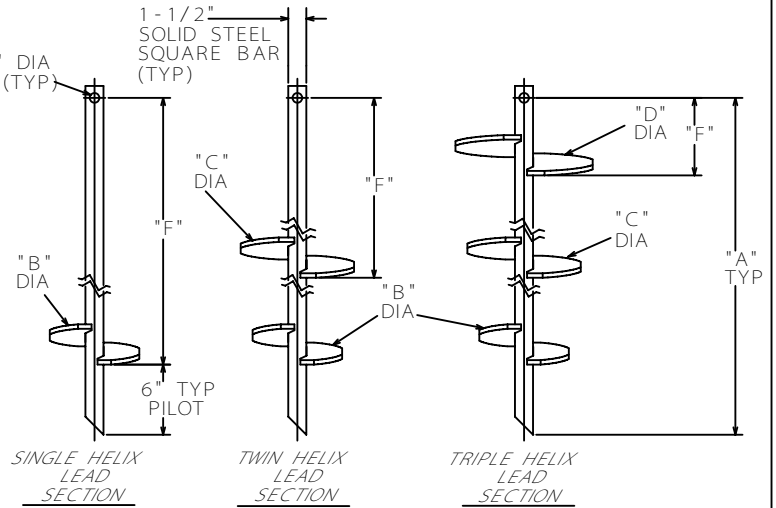
\* HELIX ARE SPACED 3' APART



HELIX MUST BE FORMED BY MATCHING METAL DIE  
 (SIDE VIEW OF TRUE HELICAL FORM)



TYPICAL ANCHOR/PILE ASSEMBLY



ICC-ES LISTED  
 ESR-2794

CHANCE		HUBBELL POWER SYSTEMS	
CONFIDENTIAL: THIS DRAWING AND ITS CONTENTS ARE CONFIDENTIAL AND THE EXCLUSIVE PROPERTY OF HUBBELL POWER SYSTEMS. NO PUBLICATION, DISTRIBUTION OR COPIES MAY BE MADE WITHOUT THE WRITTEN CONSENT OF HUBBELL POWER SYSTEMS. HUBBELL POWER SYSTEMS UNPUBLISHES ALL RIGHTS RESERVED UNDER THE COPYRIGHT LAWS.		TITLE SS5 LEADS AND HELICAL EXTENSIONS	
SIZE SC	DWG NO. SA150-0001	CAT / PART / ASSY NO. SEE CHART	REV N
DO NOT SCALE THIS DRAWING	DRN BY KSH	DATE 4/25/05	SHEET 1/2