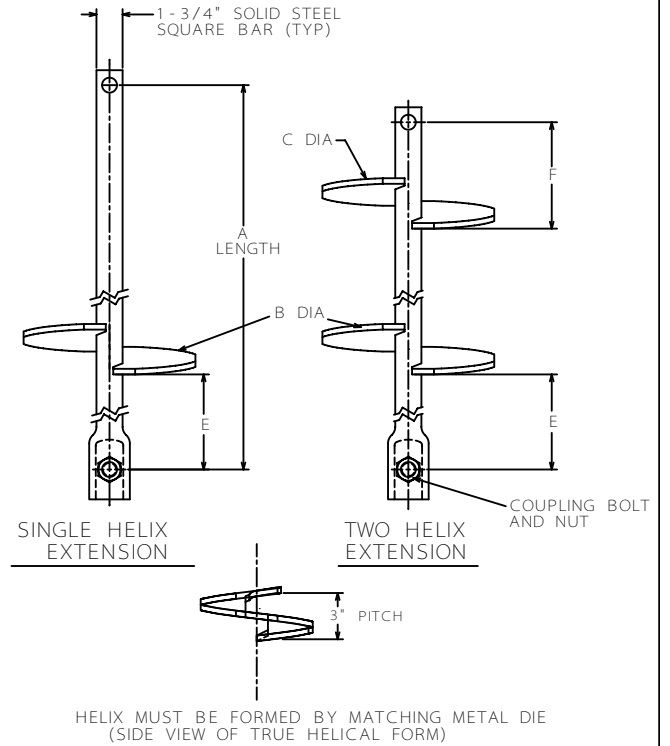
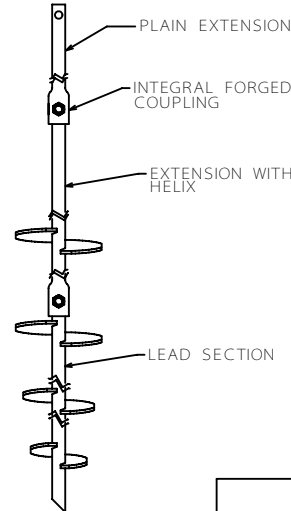
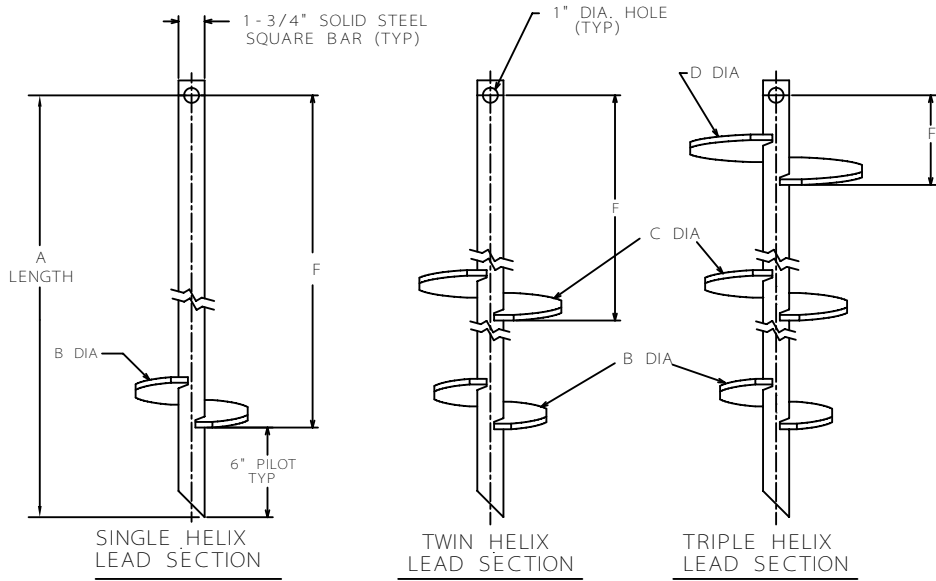


# SS175 HELICAL PIERS AND ANCHORS

TORQUE STRENGTH\* RATING - 11,000 FT-LB  
 ULTIMATE CAPACITY (COMPRESSION) - 110 KIP  
 \* BASED ON A TORQUE FACTOR (Kt) - 10  
 SINGLE HELIX ULTIMATE STRENGTH - 50 KIP  
 ULTIMATE TENSION STRENGTH (COUPLING BOLT) - 100 KIP



HELIX MUST BE FORMED BY MATCHING METAL DIE (SIDE VIEW OF TRUE HELICAL FORM)

==NOTES==

1. HOT DIP GALVANIZED PER ASTM A153 - (LATEST REVISION).
2. LEAD AND EXTENSION SECTION LENGTHS AND HELIX SPACINGS ARE NOMINAL.
3. NOMINAL SPACING BETWEEN HELIX PLATES IS THREE TIMES THE DIAMETER OF THE LOWER HELIX.
4. SHAFT MATERIAL - HOT ROLLED ROUND-CORNERED-SQUARE (RCS) SOLID STEEL BARS PER ASTM A29; MINIMUM YIELD STRENGTH=90 KSI.
5. HELIX MATERIAL - HOT ROLLED LOW ALLOY STEEL SHEET, STRIP, OR PLATE PER ASTM A656, OR A1018 GRADE 80; MINIMUM YIELD STRENGTH=80 KSI, 3/8" THICK.
6. COUPLING BOLTS: 7/8" DIAMETER X 3-1/2" LONG HEX HEAD PER ASTM A193 GRADE B7.
7. MANUFACTURER TO HAVE IN EFFECT INDUSTRY RECOGNIZED WRITTEN QUALITY CONTROL FOR ALL MATERIALS AND MANUFACTURING PROCESSES.
8. ALL WELDING TO BE DONE BY WELDERS CERTIFIED UNDER SECTION 5 OF THE AWS CODE D1.1.
9. SEE ICC EVALUATION SERVICE INC., EVALUATION REPORT NO. ER-5110 FOR ALLOWABLE VALUES AND/OR CONDITIONS OF USE CONCERNING MATERIAL PRESENTED IN THIS DOCUMENT.
10. REFER TO DRAWING SA150-0183 FOR PLAIN EXTENSIONS AND TERMINATIONS.

TYPICAL ANCHOR/PIER ASSEMBLY

LEAD SECTION						
CAT. NO.	A	B	C	D	F	ICC-ES† LISTED
C150-0010	64.5"	8"			58.5"	X
C150-0011	64.5"	10"			58.5"	X
C150-0012	64.5"	8"	10"		34.5"	X
C150-0093	64.5"	10"	12"		28.5"	
C150-0179	36.75"	8"	10"		6.75"	
C150-0180	64.5"	8"	10"	12"	4.5"	X
C150-0401	83"	8"	10"	12"	23"	
C150-0402	129"	10"	12"	14"	57"	
C150-0181	129"	14"	14"	14"	39"	
C150-0493	83"	8"	10"		53"	

HELICAL EXTENSION SECTION						
CAT. NO.	A	B	C	E	F	ICC-ES† LISTED
C150-0185	46"	14"		37"		X
C150-0186	80"	14"	14"	36"	8"	

†ICC-ES LISTINGS FORMERLY ICBO AND SBCCI.

TITLE <b>SS175 LEAD SECTIONS AND HELICAL EXTENSIONS</b>	
CONFIDENTIAL: THIS DRAWING AND ITS CONTENTS ARE CONFIDENTIAL AND THE EXCLUSIVE PROPERTY OF HUBBELL POWER SYSTEMS. NO PUBLICATION, DISTRIBUTION OR COPIES MAY BE MADE WITHOUT THE WRITTEN CONSENT OF HUBBELL POWER SYSTEMS. HUBBELL POWER SYSTEMS UNPUBLISHES ALL RIGHTS RESERVED UNDER THE COPYRIGHT LAWS.	SIZE: DWG NO. CAT / PART / ASSY NO. REV DO NOT SCALE THIS DRAWING DRN BY KSH DATE 4/12/06 SHEET 1/2
ICC-ES LISTED ER-5110	ICC-ES LISTED ER-9504
SC SA150-1001	SEE CHART