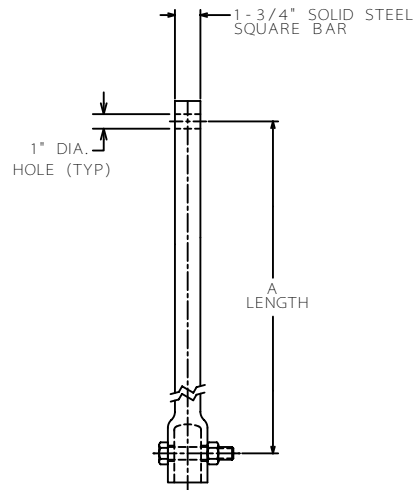


# SS175 EXTENSIONS

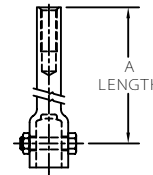
TORQUE STRENGTH RATING - 11,000 FT - LB  
 ULTIMATE CAPACITY (COMPRESSION) - 110 KIP  
 \* BASED ON A TORQUE FACTOR (Kt)=10  
 SINGLE HELIX ULTIMATE STRENGTH - 50 KIP  
 ULTIMATE TENSION STRENGTH (COUPLING BOLT) - 100 KIP

EXTENSION SECTION		
CAT. NO.	A	ICC-ES† LISTED
C150-0183	38"	X
C150-0013	59"	X
C150-0014	80"	X
C150-0184	124"	X
C150-0037	20"	
C114-0010	12"	

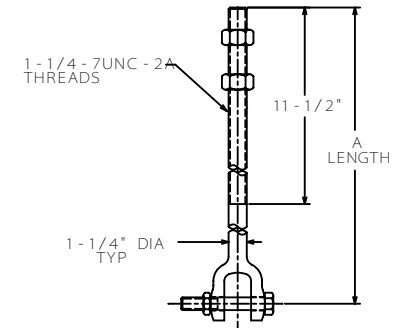
ICC-ES LISTINGS FORMERLY ICBO AND SBCCI.



PLAIN  
EXTENSION



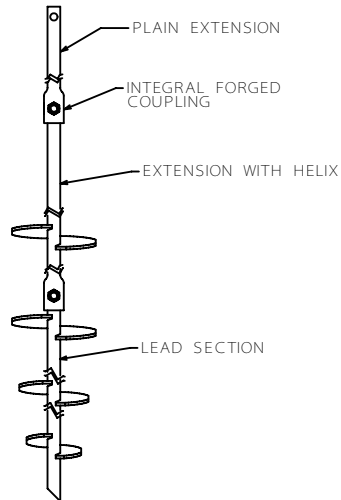
1" DYWIDAG ADAPTER  
C114-0010 FOR 1-3/4" SHAFT



THREADED ADAPTER  
C150-0037 FOR 1-3/4" SHAFT

## ==NOTES==

- HOT DIP GALVANIZED PER ASTM A153 - (LATEST REVISION).
- LEAD AND EXTENSION SECTION LENGTHS AND HELIX SPACINGS ARE NOMINAL,
- SHAFT MATERIAL - HOT ROLLED ROUND-CORNERED-SQUARE (RCS) SOLID STEEL BARS PER ASTM A29; MINIMUM YIELD STRENGTH=90 KSI.
- COUPLING BOLTS: 7/8" DIAMETER X 3-1/2" LONG HEX HEAD PER ASTM A193 GRADE B7.
- MANUFACTURER TO HAVE IN EFFECT INDUSTRY RECOGNIZED WRITTEN QUALITY CONTROL FOR ALL MATERIALS AND MANUFACTURING PROCESSES.
- ALL WELDING TO BE DONE BY WELDERS CERTIFIED UNDER SECTION 5 OF THE AWS CODE D1.1.
- SEE ICC EVALUATION SERVICE INC., EVALUATION REPORT NO. ER-5110 FOR ALLOWABLE VALUES AND/OR CONDITIONS OF USE CONCERNING MATERIAL PRESENTED IN THIS DOCUMENT.
- REFER TO SA150-10012 FOR LEAD SECTIONS AND HELICAL EXTENSIONS.



TYPICAL ANCHOR/PIER  
ASSEMBLY

ICC-ES  
LISTED  
ER-5110

ICC-ES  
LISTED  
ER-9504

CHANCE	HUBBELL POWER SYSTEM		
CONFIDENTIAL: THIS DRAWING AND ITS CONTENTS ARE CONFIDENTIAL AND THE EXCLUSIVE PROPERTY OF HUBBELL POWER SYSTEMS. NO PUBLICATION, DISTRIBUTION OR COPIES MAY BE MADE WITHOUT THE WRITTEN CONSENT OF HUBBELL POWER SYSTEMS. HUBBELL POWER SYSTEMS UNPUBLISHES ALL RIGHTS RESERVED UNDER THE COPYRIGHT LAWS.			
TITLE SS175 EXTENSIONS		SIZE SC	DWG NO. SA150-0183
CAT / PART / ASSY NO. SEE CHART		REV A	DO NOT SCALE THIS DRAWING
DRN BY KSH	DATE 4/12/06	SHEET 2/2	