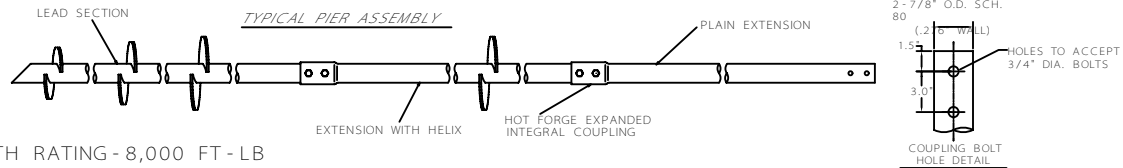


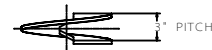
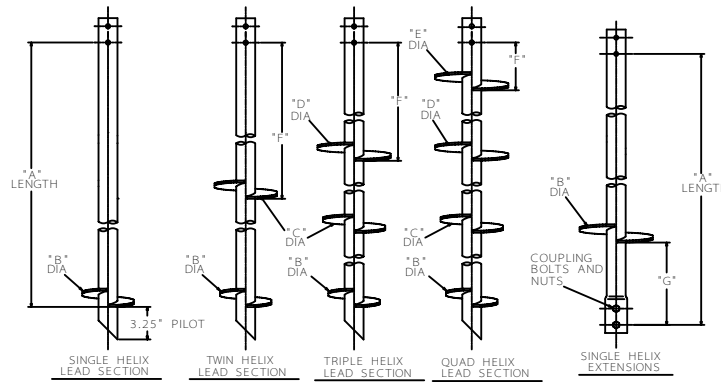
# RS2875.276 MULTI-HELIX LEADS



TORQUE STRENGTH RATING - 8,000 FT-LB  
 ULTIMATE CAPACITY\*(TENSION/COMPRESSION) - 72KIP  
 \*BASED ON A TORQUE FACTOR (Kt)=9  
 SINGLE HELIX ULTIMATE STRENGTH - 60 KIP  
 ULTIMATE TENSION AND COMPRESSION STRENGTH 90 KIP

LEAD SECTIONS						
CAT. NO.	"A"	"B"	"C"	"D"	"E"	"F"
C2788001	76.25	10"				
C2788002	56.25	10"				
C2788003	56.25	10"	12"			26.25
C2788004	76.25	8"	10"	12"		22.25
C2788005	76.25	10"	12"	14"		10.25
C2788006	118.25	8"	10"	12"	14"	28.75
C2788007	56.25	8"	10"			32.25

HELICAL EXTENSIONS			
CAT. NO.	"A"	"B"	"G"
C2788314	36"	14"	25"



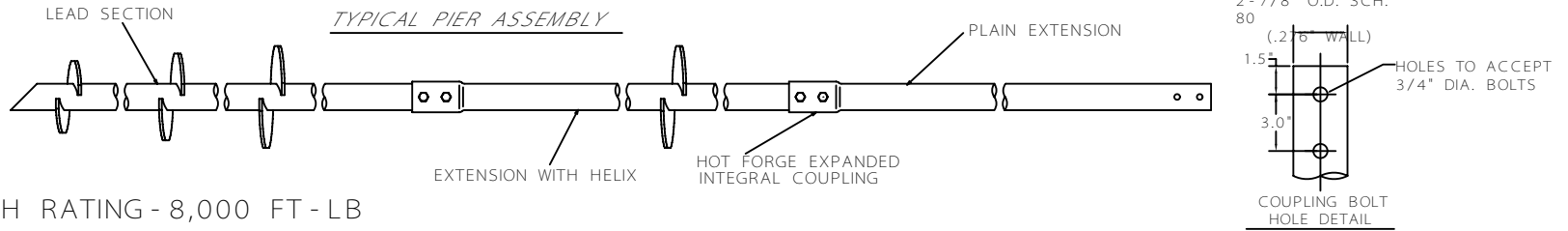
HELIX MUST BE FORMED BY MATCHING METAL DIE (SIDE VIEW)

## - NOTES -

- HOT DIP GALVANIZED PER ASTM 153-(LATEST REVISION)
- LEAD AND EXTENSION SECTION LENGTHS AND HELIX SPACINGS ARE NOMINAL,
- NOMINAL SPACING BETWEEN HELIX PLATES IS THREE TIMES THE DIAMETER OF THE LOWER HELIX.
- HELIX MATERIAL LOW CARBON STEEL MEETING THE GENERAL REQUIREMENTS OF AISI, OR ASTM A656, OR A1018; 3/8" THICK MINIMUM YIELD STRENGTH = 80 KSI.
- PIPE SHAFT MATERIAL 2.5" NOMINAL, SCHEDULE 80 WALL THICKNESS PER ASTM A500 GRADE B/C, MINIMUM YIELD STRENGTH OF PIPE SHAFT IS 50 KSI.
- MANUFACTURER TO HAVE IN EFFECT INDUSTRY RECOGNIZED WRITTEN QUALITY CONTROL FOR ALL MATERIALS AND MANUFACTURING PROCESSES.
- ALL WELDING TO BE DONE BY WELDERS CERTIFIED UNDER SECTION 5 OF THE AWS CODE D1.1.
- FOR PLAIN EXTENSIONS REFER TO DRAWING SA2785500.

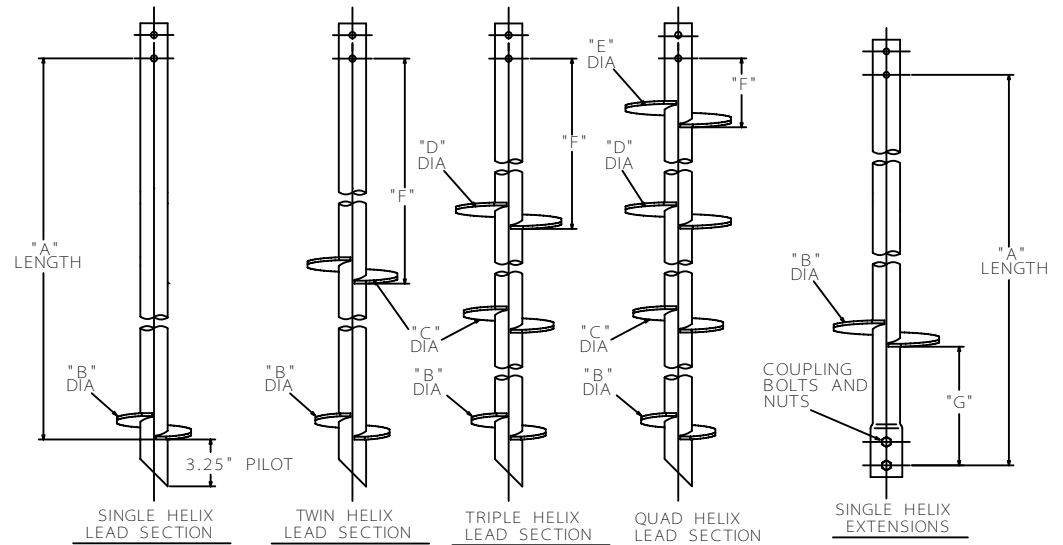
CHANCE HELICAL		HUBBELL POWER SYSTEMS	
RS2875.276 MULTI-HELIX LEADS AND HELICAL EXTENSIONS			
CONFIDENTIAL: THIS DRAWING AND ITS CONTENTS ARE CONFIDENTIAL AND THE EXCLUSIVE PROPERTY OF HUBBELL POWER SYSTEMS, INC. NO PUBLICATION, DISTRIBUTION OR COPIES MAY BE MADE WITHOUT THE PRIOR WRITTEN CONSENT OF HUBBELL POWER SYSTEMS, INC. HUBBELL POWER SYSTEMS UNPUBLISHED. ALL RIGHTS RESERVED UNDER THE COPYRIGHT LAWS.		SIZE: A	DWG NO: SA2788001
DO NOT SCALE THIS DRAWING	DRN BY LMM	DATE 05/13/08	SHEET 10F1

# RS2875.276 MULTI-HELIX LEADS



TORQUE STRENGTH RATING - 8,000 FT-LB  
 ULTIMATE CAPACITY\*(TENSION/COMPRESSION) - 72KIP  
 \*BASED ON A TORQUE FACTOR (Kt)=9  
 SINGLE HELIX ULTIMATE STRENGTH - 60 KIP  
 ULTIMATE TENSION AND COMPRESSION  
 STRENGTH 90 KIP

LEAD SECTIONS						
CAT. NO.	"A"	"B"	"C"	"D"	"E"	"F"
C2788001	76.25	10"				
C2788002	56.25	10"				
C2788003	56.25	10"	12"			26.25
C2788004	76.25	8"	10"	12"		22.25
C2788005	76.25	10"	12"	14"		10.25
C2788006	118.25	8"	10"	12"	14"	28.75
C2788007	56.25	8"	10"			32.25

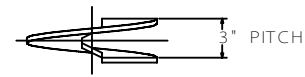


HELICAL EXTENSIONS			
CAT. NO.	"A"	"B"	"G"
C2788314	36"	14"	25"

## - NOTES -

- HOT DIP GALVANIZED PER ASTM 153 - (LATEST REVISION)
- LEAD AND EXTENSION SECTION LENGTHS AND HELIX SPACINGS ARE NOMINAL,
- NOMINAL SPACING BETWEEN HELIX PLATES IS THREE TIMES THE DIAMETER OF THE LOWER HELIX.
- HELIX MATERIAL LOW CARBON STEEL MEETING THE GENERAL REQUIREMENTS OF AISI, OR ASTM A656, OR A1018; 3/8" THICK MINIMUM YIELD STRENGTH = 80 KSI.
- PIPE SHAFT MATERIAL 2.5" NOMINAL, SCHEDULE 80 WALL THICKNESS PER ASTM A500 GRADE B/C, MINIMUM YIELD STRENGTH OF PIPE SHAFT IS 50 KSI.
- MANUFACTURER TO HAVE IN EFFECT INDUSTRY RECOGNIZED WRITTEN QUALITY CONTROL FOR ALL MATERIALS AND MANUFACTURING PROCESSES.
- ALL WELDING TO BE DONE BY WELDERS CERTIFIED UNDER SECTION 5 OF THE AWS CODE D1.1.
- FOR PLAIN EXTENSIONS REFER TO DRAWING SA2785500.

HELIX MUST BE FORMED BY MATCHING METAL DIE (SIDE VIEW)



<b>CHANCE HELICAL</b> <small>CONFIDENTIAL: THIS DRAWING AND ITS CONTENTS ARE CONFIDENTIAL AND THE EXCLUSIVE PROPERTY OF HUBBELL POWER SYSTEMS, INC. NO PUBLICATION, DISTRIBUTION OR COPIES MAY BE MADE WITHOUT THE PRIOR WRITTEN CONSENT OF HUBBELL POWER SYSTEMS, INC. HUBBELL POWER SYSTEMS UNPUBLISHES ALL RIGHTS RESERVED UNDER THE COPYRIGHT LAWS.</small>	<b>HUBBELL POWER SYSTEMS</b> <small>POWER SYSTEMS, INC.</small>	
	RS2875.276 MULTI-HELIX LEADS AND HELICAL EXTENSIONS	
SIZE <b>A</b> DWG NO. SA2788001	DRN BY LMM	DATE 05/13/08
DO NOT SCALE THIS DRAWING	SHEET 10F1	REV <b>C</b>