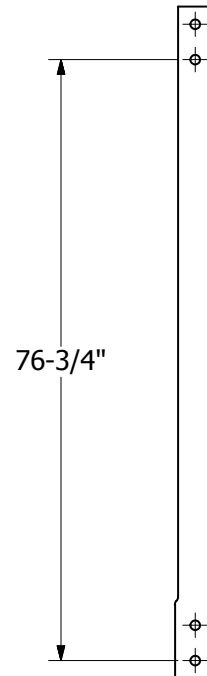
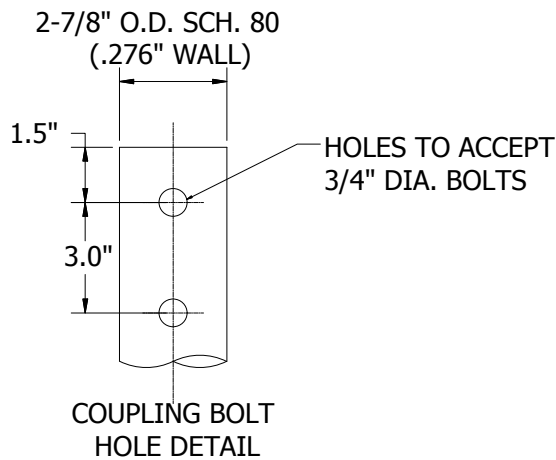
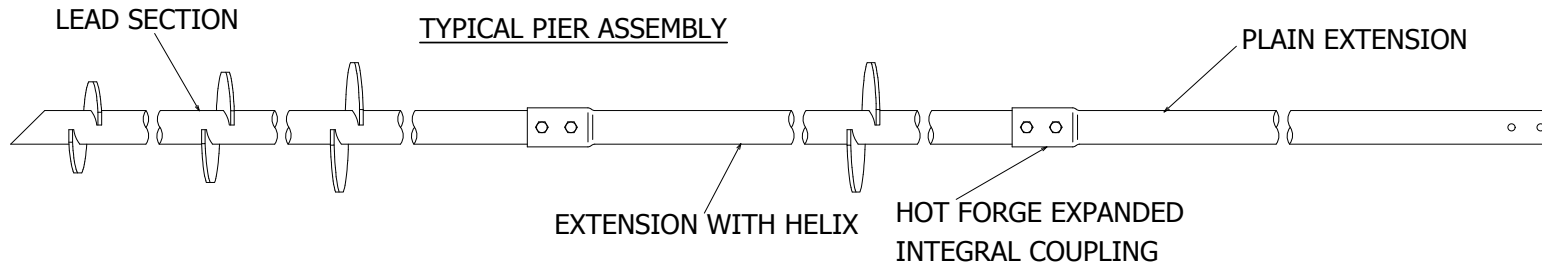


TORQUE STRENGTH RATING-8,000FT-LB
ULTIMATE CAPACITY* (TENSION/COMPRESSION)-72 KIP
***BASED ON A TORQUE FACTOR OF (Kt)= 9**
SINGLE HELIX ULTIMATE STRENGTH-60 KIP
ULTIMATE TENSION AND COMPRESSION
STRENGTH 90 KIP



-NOTES-

1. HOT DIP GALVANIZED PER ASTM A153-(LATEST REVISION).
2. LEAD AND EXTENSION SECTION LENGTHS ARE NOMINAL.
3. PIPE SHAFT MATERIAL 2.5 " NOMINAL, SCHEDULE 80 WALL THICKNESS PER ASTM A500 GRADE B.
4. MANUFACTURER TO HAVE IN EFFECT INDUSTRY RECOGNIZED WRITTEN QUALITY CONTROL FOR ALL MATERIALS AND MANUFACTURING PROCESSES..
5. REFER TO DRAWING SA2785500 FOR LIST OF PLAIN EXTENSIONS.
6. PLAIN MILL FINISH. CAT NO ENDING IN NG ONLY

The Northeast's Leading
 Authorized
 CHANCE Distributor
 732-747-7222
 earthanchoring.com

CHANCE		HUBBELL POWER SYSTEMS, INC.		HUBBELL POWER SYSTEMS, INC.	
CONFIDENTIAL: THIS DRAWING AND ITS CONTENTS ARE CONFIDENTIAL AND THE EXCLUSIVE PROPERTY OF HUBBELL POWER SYSTEMS. NO PUBLICATION, DISTRIBUTION, OR COPIES MAY BE MADE WITHOUT THE WRITTEN CONSENT OF HUBBELL POWER SYSTEMS. HUBBELL POWER SYSTEMS UNPUBLISHED ALL RIGHTS RESERVED UNDER THE COPYRIGHT LAWS.					
TITLE					
RS2875.276 PLAIN ANCHOR					
SIZE	CAT / PART / ASSY NO.	DWG NO.		REV	
C	C2788700	SA2788700		-	
DO NOT SCALE THIS DRAWING	DRN BY BCT	DATE 05/18/16	SHEET 1 OF 1		